



[I-21/64/2025-W&M Section]  
GOVERNMENT OF INDIA/भारत सरकार  
MINISTRY OF CONSUMER AFFAIRS, FOOD AND PUBLIC DISTRIBUTION  
उपभोक्ता मामले, खाद्य एवं सार्वजनिक वितरण मंत्रालय  
DEPARTMENT OF CONSUMER AFFAIRS/ उपभोक्ता मामले विभाग  
LEGAL METROLOGY DIVISION/ विधिक मापविज्ञान प्रभाग

Krishi Bhawan/कृषि भवन, नई दिल्ली  
Dated/दिनांक:- 17.03.2025

Certificate of Approval of Model/ मॉडल का अनुमोदन प्रमाणपत्र

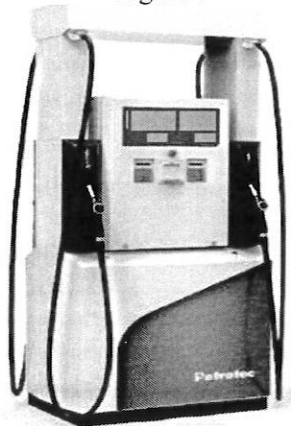
Whereas the Central Government, after considering the report submitted to it by the prescribed authority, is satisfied that the model described in the said report (see the figure given below) is in conformity with the provisions of the Legal Metrology Act, 2009 (1 of 2010) and the Legal Metrology (Approval of Models) Rules, 2011 and the said model is likely to maintain its accuracy over periods of sustained use and to render accurate service under varied conditions;

Now, therefore, in exercise of the powers conferred by the second proviso to section 22 of the Legal Metrology Act, 2009 (1 of 2010) read with sub-rule (6) of rule 8 and sub-rule (4) of rule 11 of the Legal Metrology (Approval of Models) Rules, 2011, as per Schedule Eighth of the Legal Metrology (General) Rules, 2011, the Central Government hereby issues and publishes the certificate of approval of model of measuring system for liquid other than water (Fuel Dispenser) with digital indication of Accuracy Class 0.5 (hereinafter in this notification referred to as the said model) of series "AXON i series" and with brand name "Petrotec" manufactured by M/s Petrotec Retail Petroleum Equipment (India) Pvt Ltd, Plot No: E109-110,108a,236B, GIDC, Electronic Estate, Sector 26, Gandhinagar, Gujarat – 382028 and which is assigned the approval mark IND/09/25/ 85 ( the picture of the model is given below as Figure 1);

Technical Data:

Model	Measuring system for liquids other than water(Fuel Dispenser)
Max Flow Rate (Qmax)	80 lpm
Min Flow rate (Qmin)	40 lpm
MMQ	2 litre
Resolution	10 ml
Accuracy class	0.5
Display	LCD
Power	230 V AC, 50Hz
Volume Display	7 digits
Amount to pay	7 digits
Hose Length	Up to 5 meters
Rate display	5 digits
Density display	5 digits
Non resettable totalizer(Digital)	12 digits
Intended use with suitable liquid	Petrol, Diesel, DEF

Figure 1

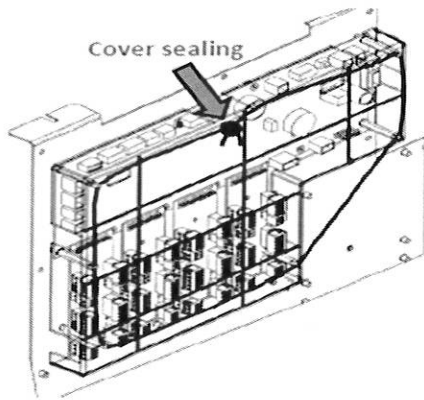


Max Flow Rate = 80 lpm, Min Flow Rate = 40 lpm, d = 10 ml, MMQ = 2 litre, Accuracy Class = 0.5, Brand = Petrotec, Series = AXON i Series



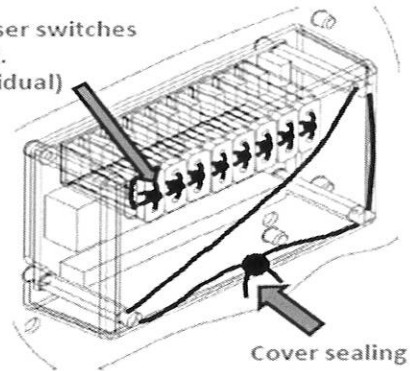
### Sealing diagram:

#### MCU Sealing

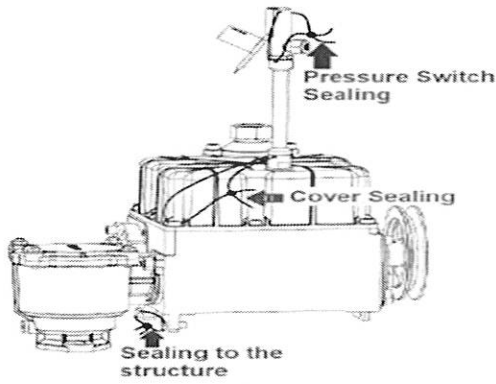


#### Totaliser sealing

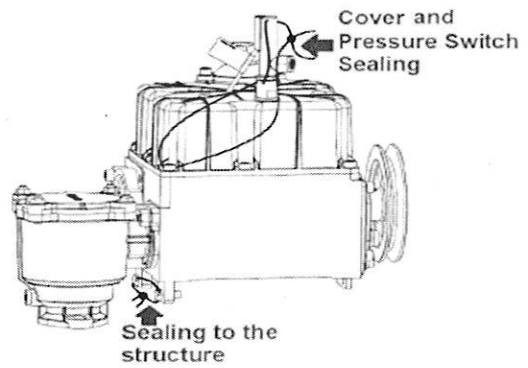
##### Totaliser switches ealing. (Individual)



#### Gas Separator –PPS and Pressure Switch P-Flux

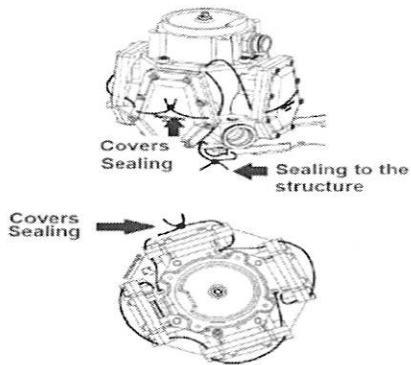


##### Option 1

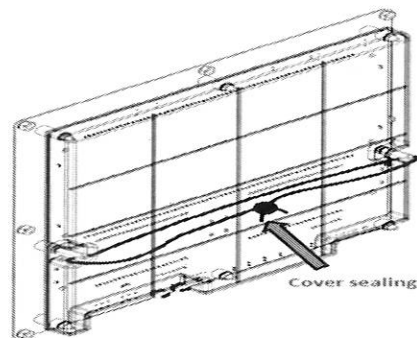


##### Option 2

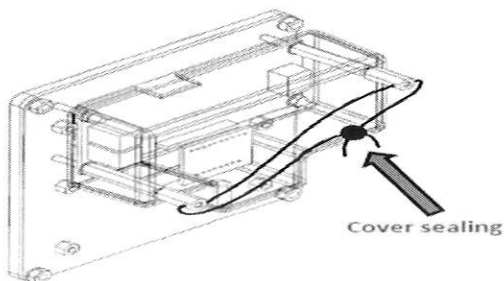
#### Measurement Transducer PTF 25-80



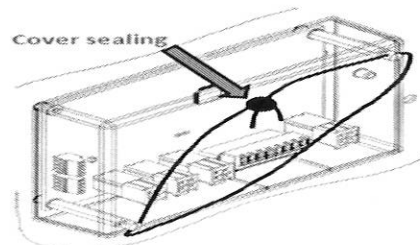
#### CSD SEALING



#### LKD KEYPAD SEALING

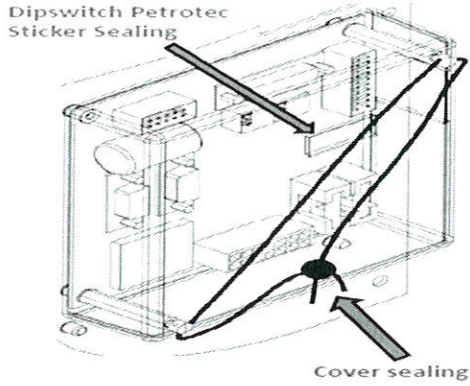


#### P FLUX VR BOARD SEALING

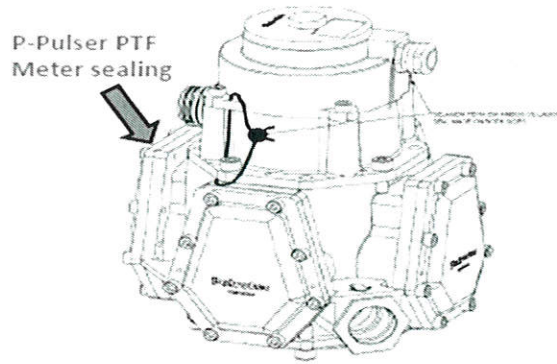




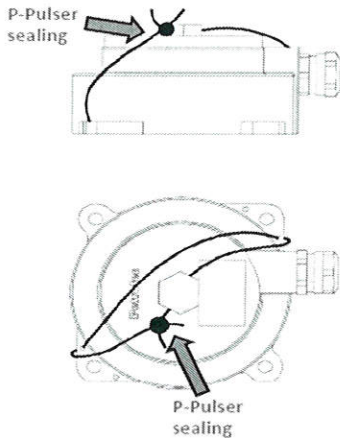
### EMC VR BOARD SEALING



### P-PULSER PTF AXON METER SEALING



### P-PULSER SEALING



### SST METER FOR DEF SEALING

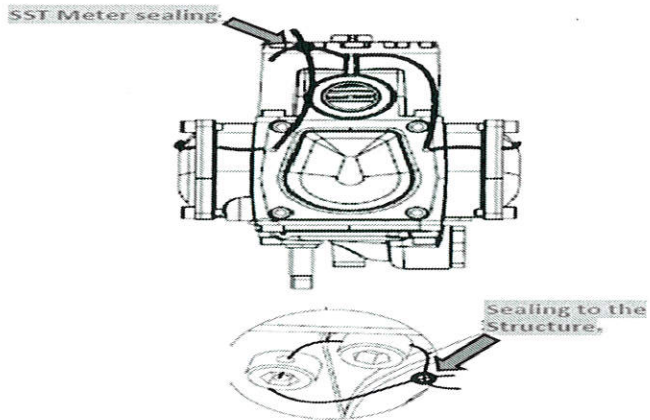


Figure 2.

A typical schematic diagram of sealing provision to prevent the fraudulent practices of the model is given above as Figure 2.

Further, in exercise of the power conferred by sub-rule (9) of rule 8 of the Legal Metrology (Approval of Models) Rules, 2011, the Central Government hereby declares that this certificate of approval of the said model shall also cover the measuring systems for liquids other than water (Fuel Dispenser) of maximum flow rate from 40 to 130 lpm , minimum flow rate upto 2 lpm with optional vapour recovery system of similar make, accuracy and performance of same series manufactured by the same manufacturer in accordance with the same principle, design and with the same materials with which, the said approved model has been manufactured.

[F.No. I-21/64/2025-W&M]

*Ashutosh Agarwal*

(Ashutosh Agarwal) / (आशुतोष अग्रवाल)  
Director (Legal Metrology)/निदेशक (विधिक माप विज्ञान)  
Phone/दूरभाष: 01123389489  
Email/ई-मेल: [dirwm-ca@nic.in](mailto:dirwm-ca@nic.in)

Online Application:20917